

LOCATION

iSON Moulding Limited
Victoria Street, High Wycombe
Buckinghamshire, HP11 2LT

CONTACT US TODAY

Telephone: +44 (0)1494 511 112
Telephone: +44 (0)1494 444 405
Email: sales@isonmoulding.com
Web: www.isonmoulding.com

FOLLOW US





From concept to solution, iSON Moulding design quality products to promote your Brand effectively using our technical expertise and acrylic lens knowledge.

iSON Moulding are a leader in the design & manufacture of T-bar lenses and main font branding.

From your basic branding needs to something more specialised, our professional acrylic lens service delivers a solution that will maximise your advertising needs using what we consider to be the best crystal clear lenses in the market place today.

Whether you want to promote your brand on a standard flat lens, or something with more visual impact like a Fish Eye lens or a Frog Eye lens, iSON Moulding can deliver.

You can decide between a round lens or oval lens, or alternatively you might prefer to use a much more bespoke approach requiring a non-standard lens specifically designed to bring your branding to life.

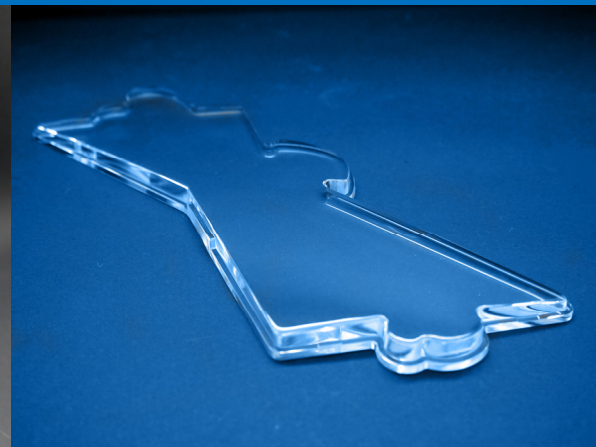
We understand the important aspects of lens manufacturing, as we have taken a step back from pure lens sales and focused on the difficulties Printers encounter (post sale).

Within the design & development of our acrylic lenses we target the flatness of the print face, ensuring surfaces are ideally suited to the print shop process being adopted.

Our understanding of cosmetic finishes gives us the ability to deliver the highest standard of moulded components.

“Our team here at iSON Moulding has spent over 10 years developing acrylic lenses, making sure that the clarity of the lens is perfect for illuminated advertising. Our acrylic lens products are used on many point-of-sale applications like soft drinks dispensers, T-bars, main beer fonts and tap handles.”

Carl Anderson, *Managing Director*



LOCATION

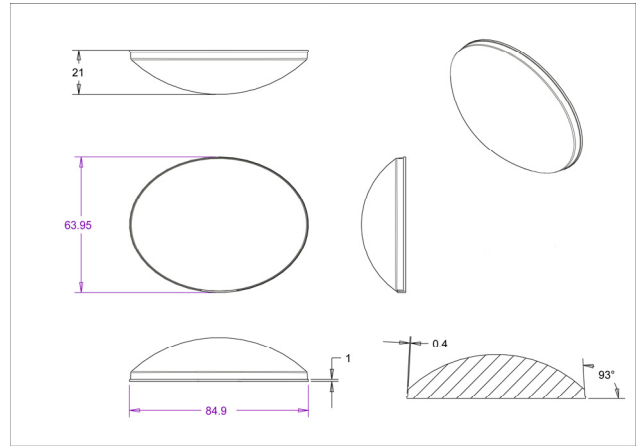
iSON Moulding Limited
Victoria Street, High Wycombe
Buckinghamshire, HP11 2LT

CONTACT US TODAY

Telephone: +44 (0)1494 511 112
Telephone: +44 (0)1494 444 405
Email: sales@isonmoulding.com
Web: www.isonmoulding.com

FOLLOW US

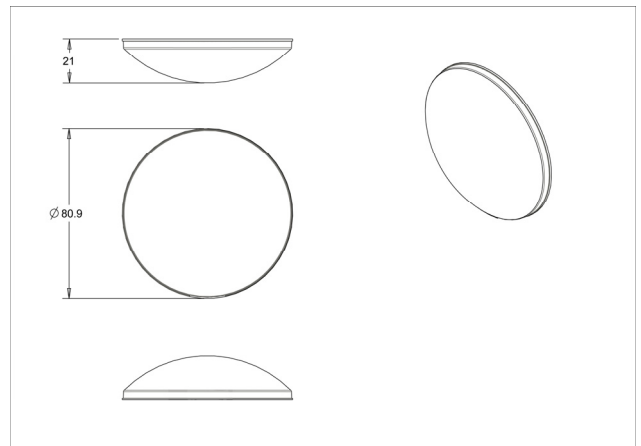




Other Eye-catching elements can be introduced; embossed plastic finishes and metal plating finishes like Chrome plating or Gold plating for plastic lens bezels to really get your products noticed.

Tap Handle Lenses are another way to promote your brand, with this type of lens becoming more popular within the Drinks Distribution and Brewery Sectors.

For more details contact iSON Moulding today...



Contact Us Today Telephone: +44 (0)1494 511 112 • Email: sales@isonmoulding.com



LOCATION

iSON Moulding Limited
Victoria Street, High Wycombe
Buckinghamshire, HP11 2LT

CONTACT US TODAY

Telephone: +44 (0)1494 511 112
Telephone: +44 (0)1494 444 405
Email: sales@isonmoulding.com
Web: www.isonmoulding.com

FOLLOW US

